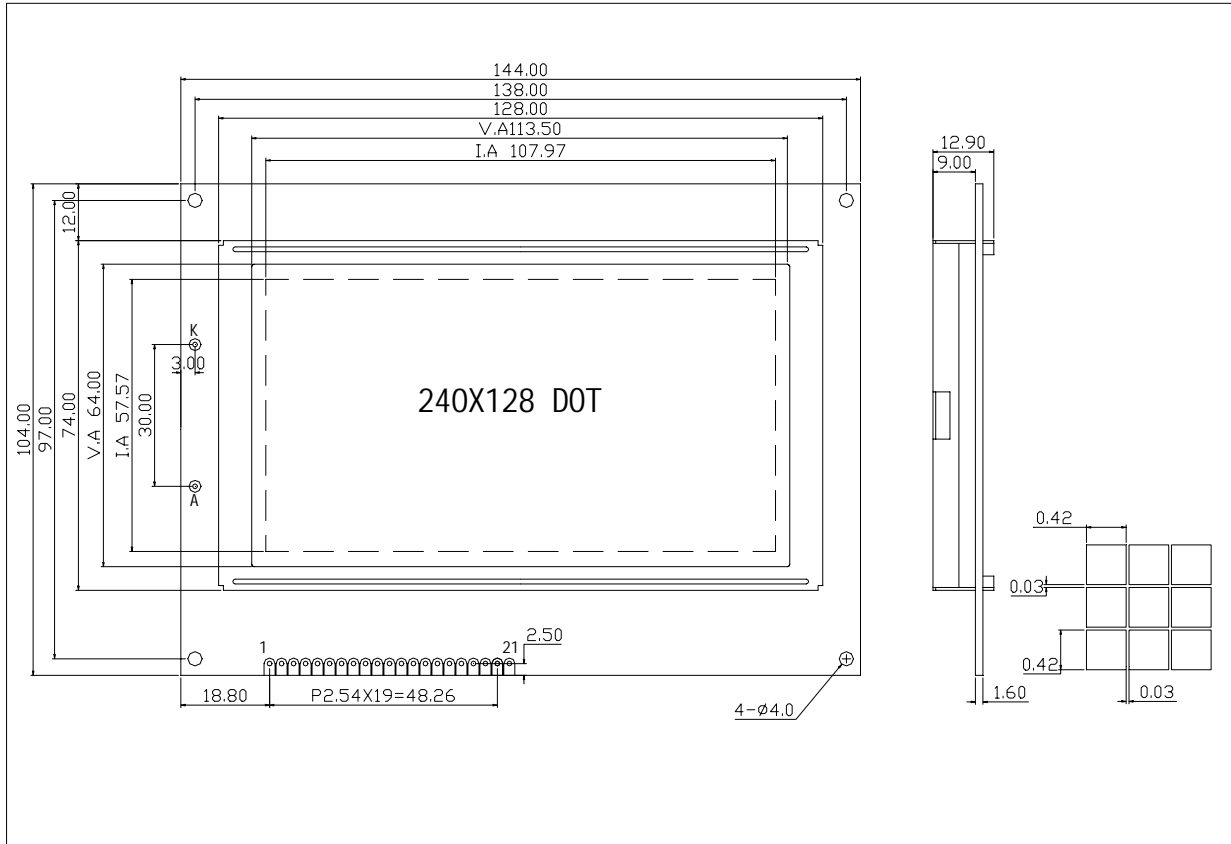


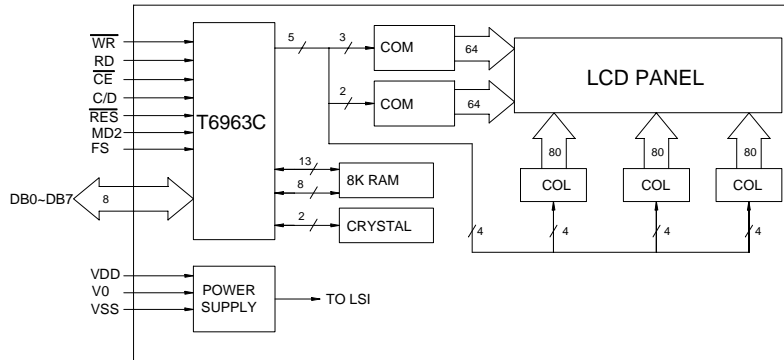
- * 240 x 128 Dots
- * View Angle (6:00)
- * 1/128 Duty, 1/12 Bias
- * LED Backlight (Yellow-Green)

- * Transflective
- * STN (Yellow-Green)
- * Controller/Driver (T6963C)
- * Operating Temp (0 ~50)

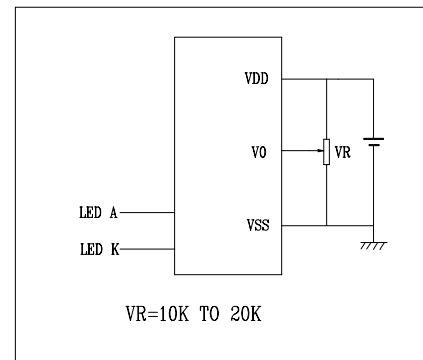
External Dimensions



Block Diagram



Power Supply



Mechanical Specifications

Electrical

Specifications

Item	Description(mm)	Item	Symbol	Min	Typ	Max	Unit
Size	144(L)x104(W)x12.9(H)	Supply Voltage for Logic	VDD	4.75	5.0	5.25	V
V.A	113.5(L)x64(W)	Supply Voltage for LCD	VLCD	22.0	22.5	23.0	V
Dot Pitch	0.45x0.45	Supply Current for Logic	IDD		10.0	20.0	mA
Dot Size	0.42x0.42	Supply Current for CCFL	IF			720	mA

Interface Signals---- J1

Pin	Symbol	Level	Description	Pin	Symbol	Level	Description
1	FG	H/L	Frame ground	8	C/D	L	Code/data
2	VSS	0V	Ground	9	RES	L	Controller Reset
3	VDD	+5V	Supply Voltage for Logic	10~17	DB0~DB7	H/L	Data Bus
4	V0		Operating Voltage for LCD	18	FS	H/L	Font select
5	/WR	H/L	Write Signal	19	Vout		Output Voltage
6	/RD	H/L	Read Signal	20-21	A K		Power supply for LED
7	CE	L	Chip Enable				